

MADE-TO-MEASURE

Curtain buying guide



Made-To-Measure Curtains

BENEFITS OF MADE-TO-MEASURE CURTAINS

- Our made to measure curtains are custom made to fit your window perfectly.
- A comprehensive range of fabrics available with print, woven, velvet and cotton options.
- To make your curtains drape better, we supply weights in the corner of each curtain.
- A choice of lining qualities are available depending on your desired finish.
- Different heading styles to complete the look.

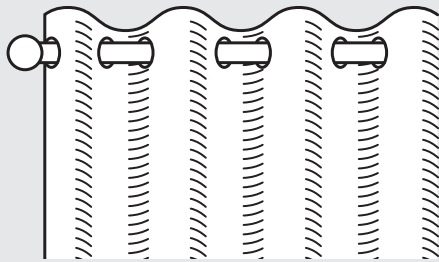


Heading Options

We have 8 curtain heading types to choose from:

EYELETS

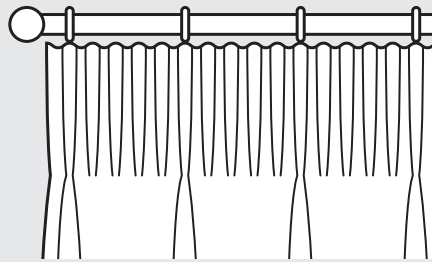
Approx Fullness: 170%



Suitable for most curtain poles. Check the pole fitting will not prevent the curtain from moving along the length. Available in 4 colours: satin silver, old gold, gunmetal and brass effects. Every curtain will have an even amount of eyelets. Available as 40mm or 50mm diameter.

150MM (6") PENCIL PLEAT

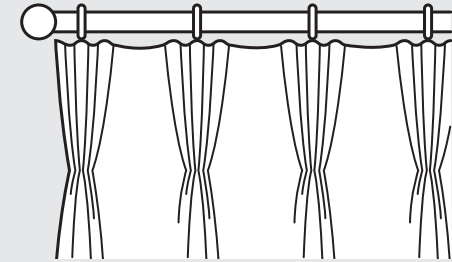
Approx Fullness: 200%



Can be hung on either a track or a curtain pole. When you pull the curtain cords, even pleats are created.

TRIPLE PINCH PLEAT

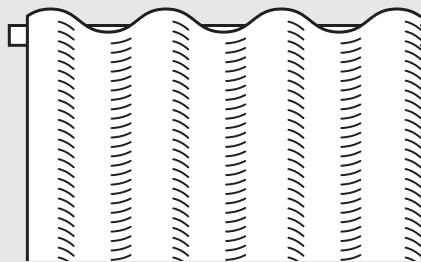
Approx Fullness: 260%



Available as 100mm (4") or 150mm (6"). Can be hung on either a track or a curtain pole. A smart header with permanently stitched pleats. Curtain hooks included.

WAVE

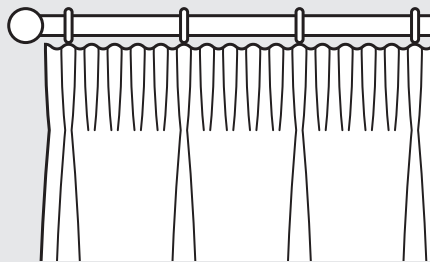
Approx Fullness: 180%



Simple folds create a timeless heading finish. Compatible wave track is supplied with all curtains. Gold curtain hooks supplied.

75MM (3") PENCIL PLEAT

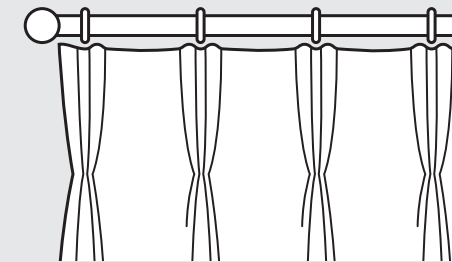
Approx Fullness: 200%



Can be hung on either a track or a curtain pole. When you pull the curtain cords, even pleats are created.

DOUBLE PINCH PLEAT

Approx Fullness: 200%



Available as 100mm (4") or 150mm (6"). Can be hung on either a track or a curtain pole. A smart header with permanently stitched pleats. Curtain hooks included.

Lining Options

We offer a selection of linings:

POLYCOTTON

Available in white or ivory.
A lightweight lining that helps to protect your main curtain fabric from sunlight and filters the light entering the room.

SATIN FINISH

Available in ivory or white.
A medium weight satin lining that gently filters out light, whilst creating an improved drape and finish to your curtains.

BLACKOUT/THERMAL

Available in ivory and white.
A heavyweight lining that reduces light entering through the window. The thermal benefits mean during winter the room stays warmer, and in summer, will help keep it cooler. Available in ivory or white.

INTERLINING

An extra layer of lining that is placed between the lining and face fabric to create a third layer of insulation and helps create the ultimate draping effect in your curtains.

Note: Costs of the above linings are calculated based on the width and drop.

Measuring for your Curtains

TOOLS REQUIRED

Metal Measuring Tape, Pen & Paper

HOW TO MEASURE

1. If no track or pole is in position, fit this prior to measuring for your curtains.
2. Only use a metal measuring tape and record your measurements in mm.
3. Measurements must be exact for an accurate result. We will make the necessary allowances to your measurements to ensure a correct fit.
4. Always measure the width first (across the window) and then the drop (top to bottom).
5. Record your measurements in the same order.
6. Check for any obstructions your curtains need to go around or over (e.g. a window handle). This may change where you fit your track or pole.
7. Finally, re-check your width and drop measurements to ensure accuracy.



Measuring for your width

CURTAIN TRACK

Measure from end to end and record this as your width (e.g. 1000mm), as shown in PIC 1.

CURTAIN TRACKS WITH AN OVERLAP

Measure the width track (PIC 2) and add the track overlap dimension to the overall track measurement to give a final measurement. (e.g. 1000mm + 100mm + 100mm = 1200mm).

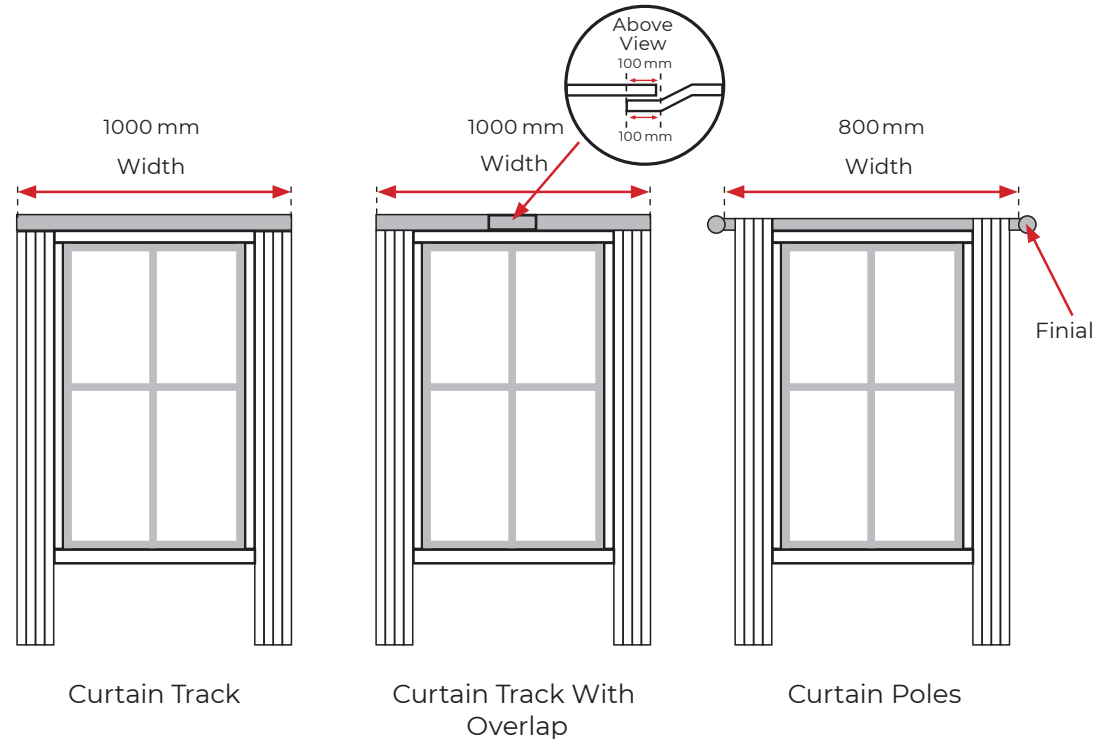
CURTAIN POLES

Measure between the two finials and record this as your width measurement, as shown in PIC 3. (e.g. 800mm).

WAVE

We provide a track with all wave heading curtains. Measure where you want the track to be fitted. The track width will be the curtain width measurement we need.

Note: Never provide the curtain size you require. Our curtains are made to fit the track/pole size provided.



PIC 1

PIC 2

PIC 3

Measuring for your drop

EYELET HEADING CURTAINS

Measure from the top side of the pole to the desired length and record as your drop measurement. Measure in three places (left, middle and right) and record the shortest measurement. (e.g. PIC 1 your measurement will be 1500mm).

Note: Eyelet curtains will fit poles up to 35mm (40mm eyelets) or 45mm (50mm eyelets) in diameter. The overall drop will be made 30mm longer to allow the curtain to stand off the pole. There will always be an even number of eyelets per curtain.

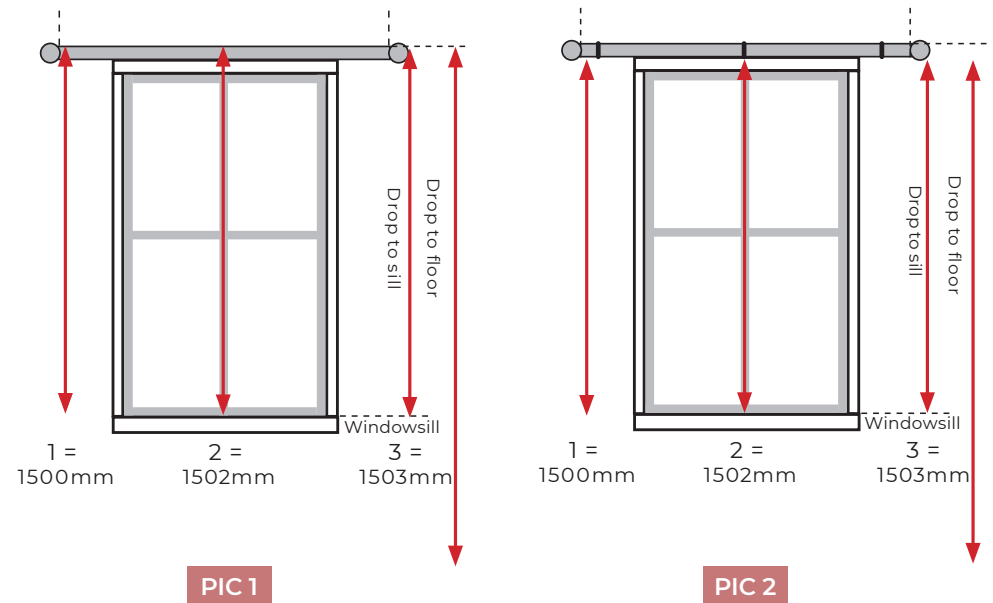
PENCIL/PINCH PLEAT HEADING CURTAINS

First decide whether you want to cover the track/pole with the curtains, or if you want the curtains to sit under the track/pole (on the ring).

Cover Track/Pole: Measure from the top of the track/pole to where you want the curtains to finish. Measure in three places and provide the shortest measurement. (e.g. PIC 1 your measurement will be 1500mm)

Under Track: Measure from the ring or hook down to where you want the curtains to finish. Measure in three places and provide the shortest measurement (e.g. PIC 2 your measurement will be 1500mm)

Wave: A wave header needs a special track to create the wave effect that's why we supply the track with the order. The measurement you supply includes the track. **The track will be visible when fitted.** Measure from where the top of the track will be fitted down to your desired drop. Measure in three places and provide the shortest measurement.

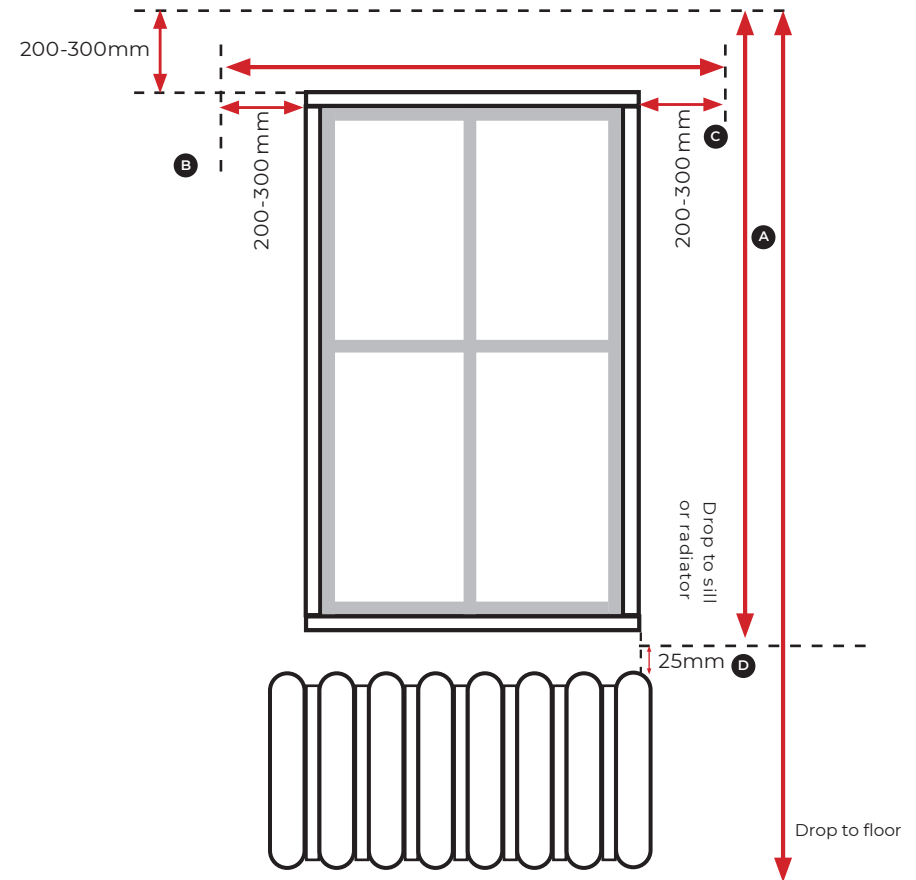


Measuring for your Pole or Track

Always follow the measuring and fitting instructions provided with the pole or track.

If there is space around the window, we recommend an overlap of 200mm-300mm at each side and above the window (e.g. A, B, C measurements).

Note: We strongly advise you to measure and fit your track before measuring for curtains.



Measuring for your Bay Window

MEASURING THE WIDTH FOR A BAY WINDOW

Without a track or pole in position:

If a pole or track needs to be fitted, follow the manufacturers recommendations on how to measure and fit. Each manufacturer will have slightly different instructions on measuring and fitting the track or pole.

Once the track or pole is fitted, or if you already have one in position, follow the instructions below:

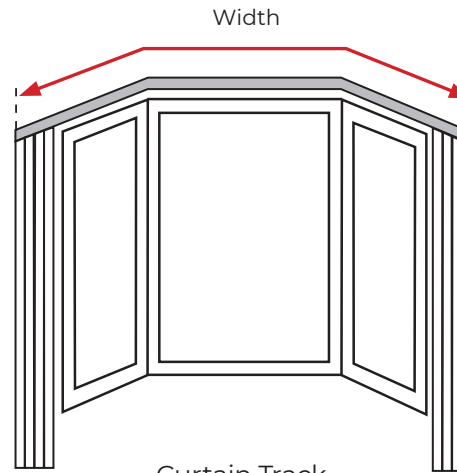
CURTAIN TRACK

Measure from end to end (PIC 1) and record this as your width measurement (Please record your measurements in mm).

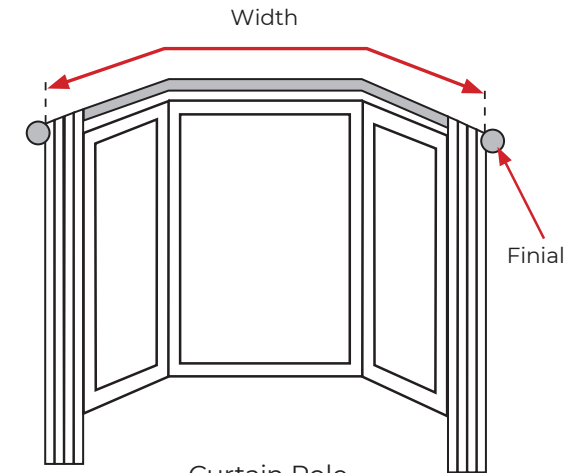
CURTAIN POLE

Measure between the two finials (PIC 2) and record this as your width measurement (Please record your measurements in mm).

Note: Not all poles for bay windows are suitable to have eyelet heading curtains. This is due to the way the pole is fixed to the wall. Please check corners/joins to ensure eyelets can be fed along the pole.



PIC 1



PIC 2

Measuring for your Bay Window

MEASURING DROP FOR EYELET HEADING CURTAINS

Measure from the top side of the pole to the desired length and record as your drop measurement. Measure in three places (left, middle, and right window) and record the shortest measurement. (e.g. PIC 1 your measurement will be 1500mm).

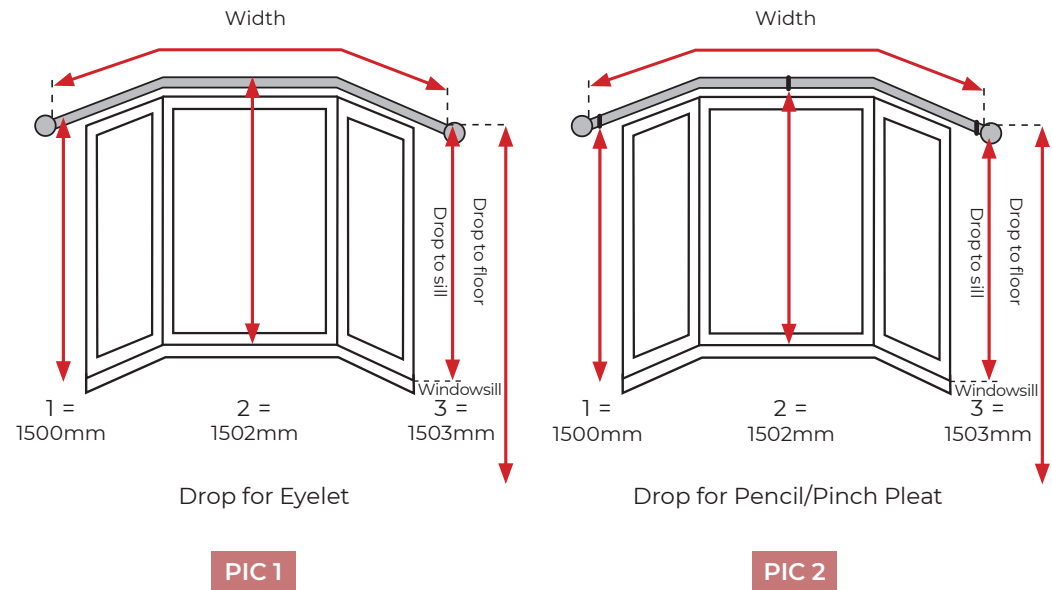
Note: Eyelet curtains will fit poles up to 35mm in diameter. The overall drop will be made 30mm longer to allow the curtain to stand off the pole. There will always be an even number of eyelets per curtain.

MEASURING DROP FOR PENCIL/PINCH PLEAT HEADING CURTAINS

First decide whether you want to cover the track/pole with the curtain, or if you want the curtains to sit under the track/pole (on the ring).

Cover Track/Pole: Measure from the top of the track/pole to where you want the curtains to finish. Measure in three places and provide the shortest measurement. (e.g. PIC 1 your measurement will be 1500mm).

Under Track: Measure from the ring or hook down to where you want the curtains to finish. Measure in three places and provide the smallest measurement (e.g. PIC 2 your measurement will be 1500mm).



Guidelines

GENERAL TIPS FOR MADE-TO-MEASURE CURTAINS

- If you have ordered a pair, always clean them together and remove any hooks before cleaning.
- To make your new curtains look their best, we recommend they are lightly steamed, taking care not to use excessive pressure or heat, to remove transport creases.
- Some eyelet curtains may have eyelet impression marks on the fabric. If necessary, use a steamer or warm iron to remove them. Do not use excessive pressure or heat as this can distort the fabric.
- Due to the packing methods on curtains, velvets and pile fabrics may have creasing and pressure marks which should disappear over a short time.
- We pride ourselves on excellent quality. All curtains are inspected and photographed prior to packing and dispatching to ensure your order arrives perfectly.
- All curtains will have 10mm deducted from the drop measurement provided to allow the fabric to stretch and settle.
- All curtains can be professionally dry cleaned. Each curtain will have a care label sewn into the side hem. Using the upholstery brush on a vacuum cleaner will help keep the curtains looking brighter and cleaner for longer.
- All curtains are custom made to the dimensions provided at the time of ordering. Refunds and exchanges cannot be given on Made to Measure curtains that have been ordered incorrectly.



illumin8global.com



THE
designer
COLLECTION



Find us on Facebook
[@illumin8blindscurtains](https://www.facebook.com/illumin8blindscurtains)



Join us on Twitter
[@illumin8b](https://twitter.com/illumin8b)



Find us on Instagram
[@illumin8blinds](https://www.instagram.com/illumin8blinds)